



Special Market

1655.8SMG/SMiG

DESIGN

The Special Market range of rotisseries has been designed with performance, practicality and mobility in mind. Light weight and compact Special Market is the ideal rotisserie for markets and food trucks and offers rapid production together with excellent cooking quality.

Conscious of the costs involved for our clients, the Special Market rotisserie has energy-saving infrared burners, patented by Rotisol, that enable the rapid roasting of a variety of products.

FEATURES

- Energy efficient
- 2 Tempered K-glass doors (removable for transport)
- Independent motor for each spit
- Spits with Bakelite handles
- Equipped with bottom drip tray with built-in drainage
- Independent infrared gas burners with interchangeable ceramic bricks (Rotisol patented)
- Optional lighting
- Delivered with 8 prongless spits (CUI1655)
- Base on casters with brakes



1655.8SMG

Black front panels and stainless steel finish



TECHNICAL DETAILS

Overview of some of the standard features.

	Replaceable ceramic bricks for significant financial savings.		Robust hinges designed for heavy use, with integrated locking in open and closed positions.		Gas safety ! separation of the gas and electric chambers avoids any risks of explosion.
	Independent floating, swinging and adjustable motors to for easy placement and removal of spits.		Anti-scald K-glass reduces external thermal radiation (energy saving). Glass overlaps drip pan to keep splatters inside (anti-slip protection).		Removable inside side-panels doubles protection from grease seeping into motors and other sensitive parts.

ACCESSORIES

A variety of accessories are available. See video of available [accessories](#) online.

CUI1655 Anti-cutting prongless V-spit.		PID1655 Tray for unspitting.		BRC1655 Rectangular basket spit.	
BS1655 Spit for ham / turkey.		BRRO1655 Roast-clamp spit.		BA1655 Lamb/suckling-pig spit.	
BCR1655 Spatchcock chicken basket.		DEC Spit mover.		AT Gas lighter.	

Front view

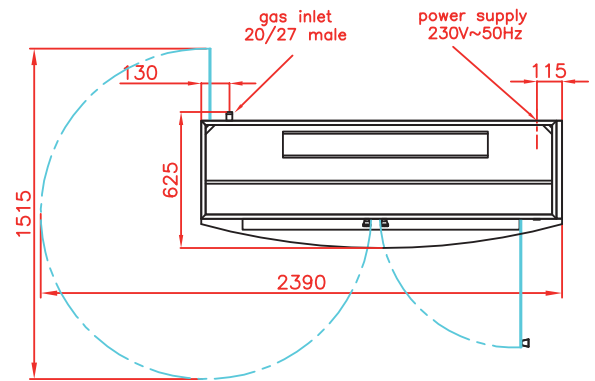
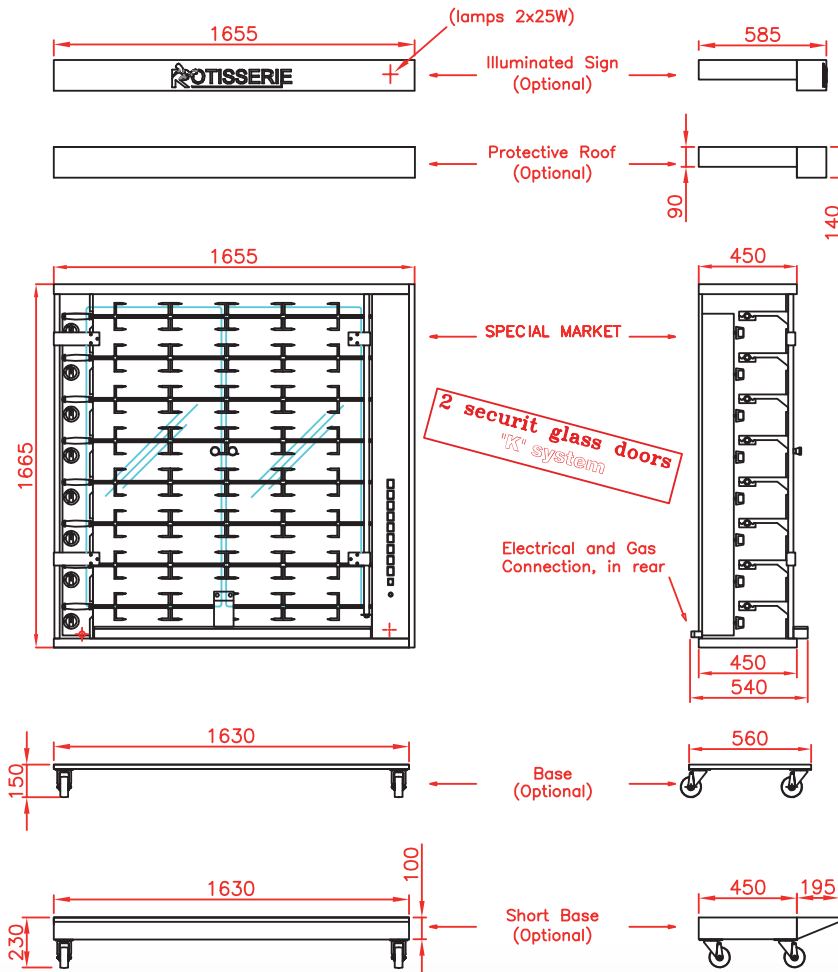
Rotisserie with roof (optional)
and base on casters (optional)

Side view

Rotisserie with roof (optional)
and base on casters (optional)

Top view

Rotisserie with roof (optional)
and base on casters (optional)



1655.8SMiG
Stainless steel finish



Revised :
April 2019

SPECIFICATIONS

Capacity	48/56 poultries
Gas power	52.8 kW
Power supply	208-230V-50Hz/60Hz
Electrical power	0.89 kW
Weight and size (HxDxW)	300 kg ; 1905 x 625 x 1655 mm
Shipping weight and size	370 kg ; 1970 x 780 x 1780 mm
Guarantee	1 year parts



DISTRIBUTOR / AGENT

Rotisol S.A.S.

Zone industrielle La Trentaine, Avenue Gustave Eiffel

77507 Chelles cedex - FRANCE

s.bennell@rotisol.com - Tel : +33 1 64 21 80 00

www.rotisol.com